

INROLED_50 RGB-W

Diameter 50 mm, shatter-proof, interfering edge-free

The INROLED_50 RGB-W is the tubular luminaire for industry par excellence: strong, homogeneous illumination, a high degree of protection and a signal function via colour change – all in one LED luminaire. A crystal-clear, shatter-proof polycarbonate housing completely insulates the illuminant from the outside and makes the INROLED_50 RGB-W ideal for illuminating hygiene-sensitive areas such as those found in the food, pharmaceutical, packaging and logistics industries.

The Technology

- White and RGB LED chips
- RGB LED chips can signal different states of machines and plants by changing colours
- Control of the LED chips by the machine or plant PLC control
- M12 plug connector, stainless steel (F&B compatible)
- Luminaire fully complies with the requirements of IFS 6
- High degree of protection IP67/IP69K

Your benefits

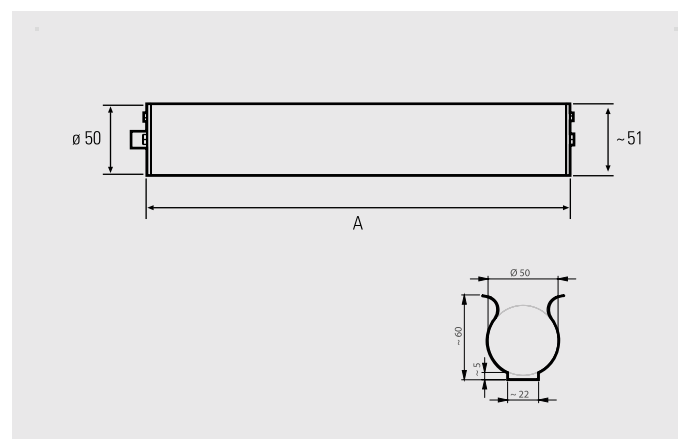
- Flicker-free, homogeneous illumination without UV or IR component as well as a signal function via different colours – the polycarbonate housing is then fully illuminated
- Resistant to hydrogen peroxide (H₂O₂, max. 35%), acids and alkaline solutions*

Areas of application

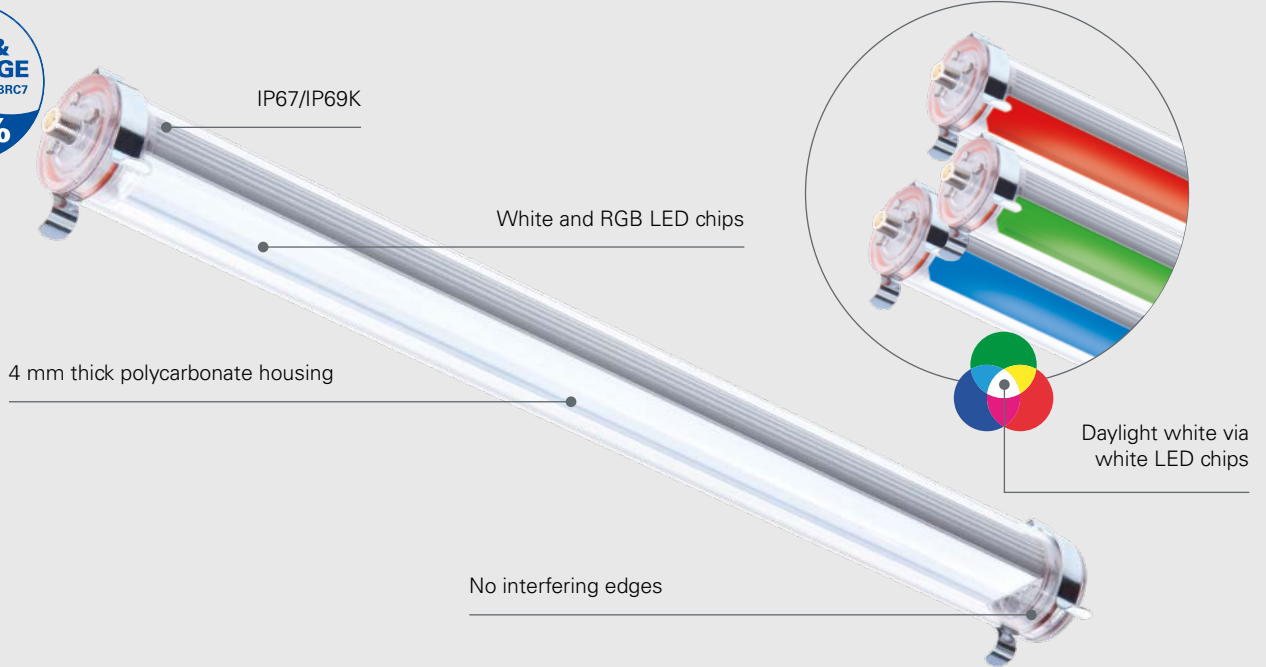
- Packaging industry, food and beverages, pharmaceuticals
- Logistics workstations and assembly lines

Designs/installation

- 50 mm diameter and 4 lengths: 305 mm, 565 mm, 1065 mm, 1565 mm
- Simple mounting and changing via spring clamps
- Optional: F&B-suitable luminaire holders or cable ties



*Preliminary examination on a case-by-case basis



INROLED_50 RGB-W	Product no.	Length (A)	Optics	E _{average} * [W]	E _{max} * [W]	Luminous flux [W]	Output [RGB per colour]+[W]	Connection
INROLED_50_RGB-W	116090-02	305 mm	100°	261 lx	371 lx	approx. 688 lm	2.64 W / 8 W	24V DC
INROLED_50_RGB-W	116190-02	565 mm	100°	511 lx	711 lx	approx. 1491 lm	5.28 W / 16 W	24V DC
INROLED_50_RGB-W	116290-02	1065 mm	100°	938 lx	1233 lx	approx. 2753 lm	10.56 W / 32 W	24V DC
INROLED_50_RGB-W	116390-02	1565 mm	100°	1238 lx	1539 lx	approx. 4359 lm	15.84 W / 48 W	24V DC

Delivery incl. luminaire holders (spring clamps) for pivotable mounting
Power supply units, dimmboxes and connection material see Accessories

* Average and maximum lighting intensities, measuring area 100 cm x 100 cm at 100 cm distance

Accessories	Product no.
INROLED_50 luminaire holder, V4A stainless steel, F&B-suitable, 1 pair	210200-09
INROLED_50 luminaire holder 1 pair cable tie + base, metal detectable PP	210200-13

