



TUBELED_40 II

Strikingly inconspicuous, varied

Narrow installation space with simultaneously rough production conditions and temperatures up to + 60° C – the TUBELED_40 II can do this like no other. With a luminaire diameter of only 40 mm and 7 available lengths, the slender LED luminaire is truly an all-rounder.

The Technology

- Heat dissipation using aluminium extruded profile to the rear – no burn-in of coolant
- Crack-proof, 4 mm thick TSG
- Light Forming Technology
- Oil-resistant seals (FKM seal Viton®)
- Machine room lighting - chip bombardment-proof, vibration and shock resistant - 100% CNC suitable

Your benefits

- Easy and quick retrofitting of machines
- Optimum lighting through 100° surface light
- Flicker-free without UV and IR components
- High degree of protection IP67/IP69K
- Electrically interlinkable (cascadable)
- On/Off interface: load-free switching, flashing and dimming possible

Areas of application

- Micro-precision machines, eroding machines, punching automation
- Wherever tight installation conditions prevail

Designs/installation

- 7 lengths: 190 mm, 280 mm, 365 mm, 540 mm, 715 mm, 1040 mm, 1540 mm
- Power versions with optimised luminous flux and ECO versions with optimised performance
- Variants for electrical interlinking (cascadable)
- Mounting via separately available mounting accessories

Space-saving geometry

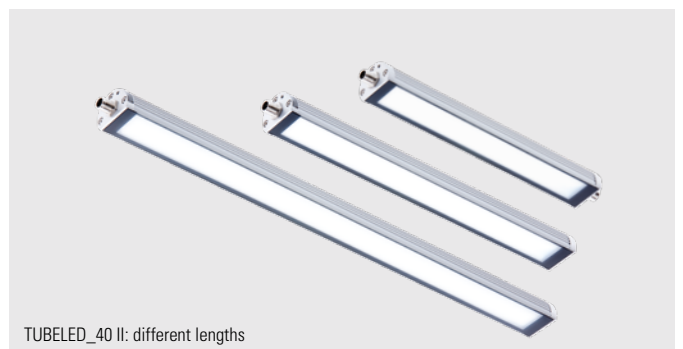
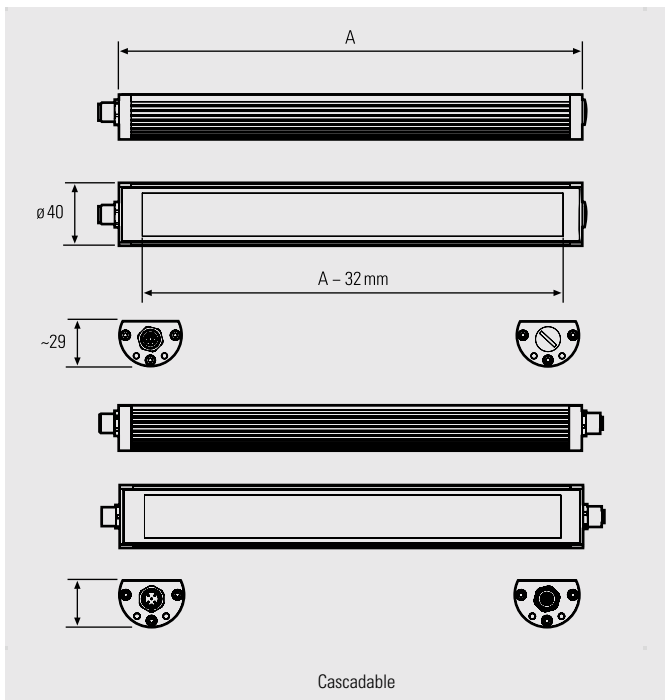
4 mm TSG with opal-white glare suppression

Liquid-tight and temperature-resistant

Robust aluminium housing

CNC geeignet
LED2WORK
100%
CNC approved

24V DC	III	IP67/ IP69K	100 % CNC	≥85	5200K - 5700K	60,000 h (L70/B10)	M12	POWER version +40 -30	ECO- version +60 -30	OPTION	ETL US	36 months	Germany
--------	-----	----------------	--------------	-----	---------------------	--------------------------	-----	--------------------------------	-------------------------------	--------	--------	-----------	---------



LED machinery lighting | Surface-mounted luminaires | TUBELED_40 II

TUBELED_40 II	Product no.	Length (A)	Optics	E _{average} *	E _{max} *	Luminous flux	Output	Connection
TUBELED_40 II Power	118010-01	190 mm	100°	291 lx	415 lx	approx. 861 lm	8 W	24V DC
TUBELED_40 II Power	118110-01	280 mm	100°	435 lx	617 lx	approx. 1291 lm	12 W	24V DC
TUBELED_40 II Power	118210-01	365 mm	100°	576 lx	815 lx	approx. 1722 lm	16 W	24V DC
TUBELED_40 II Power	118310-01	540 mm	100°	850 lx	1184 lx	approx. 2582 lm	24 W	24V DC
TUBELED_40 II Power	118410-01	715 mm	100°	1107 lx	1514 lx	approx. 3443 lm	32 W	24V DC
TUBELED_40 II Power	118510-01	1040 mm	100°	1560 lx	2049 lx	approx. 5165 lm	48 W	24V DC
TUBELED_40 II Power	118610-01	1540 mm	100°	2058 lx	2553 lx	approx. 7747 lm	72 W	24V DC
TUBELED_40 II ECO	118010-02	190 mm	100°	175 lx	250 lx	approx. 459 lm	4 W	24V DC
TUBELED_40 II ECO	118110-02	280 mm	100°	261 lx	371 lx	approx. 688 lm	6 W	24V DC
TUBELED_40 II ECO	118210-02	365 mm	100°	346 lx	489 lx	approx. 975 lm	8.5 W	24V DC
TUBELED_40 II ECO	118310-02	540 mm	100°	511 lx	711 lx	approx. 1491 lm	13 W	24V DC
TUBELED_40 II ECO	118410-02	715 mm	100°	665 lx	909 lx	approx. 1950 lm	17 W	24V DC
TUBELED_40 II ECO	118510-02	1040 mm	100°	938 lx	1233 lx	approx. 2753 lm	24 W	24V DC
TUBELED_40 II ECO	118610-02	1540 mm	100°	1238 lx	1539 lx	approx. 4359 lm	38 W	24V DC

Fastening accessories, power supply and connection materials, see Accessories

* Average and maximum lighting intensities, measurement area 100 cm x 100 cm at 100 cm distance

TUBELED_40 II, cascadable	Product no.	Length (A)	Optics	E _{average} *	E _{max} *	Luminous flux	Output	Connection
TUBELED_40 II Power	118010-11	190 mm	100°	291 lx	415 lx	approx. 861 lm	8 W	24V DC
TUBELED_40 II Power	118110-11	280 mm	100°	435 lx	617 lx	approx. 1291 lm	12 W	24V DC
TUBELED_40 II Power	118210-11	365 mm	100°	576 lx	815 lx	approx. 1722 lm	16 W	24V DC
TUBELED_40 II Power	118310-11	540 mm	100°	850 lx	1184 lx	approx. 2582 lm	24 W	24V DC
TUBELED_40 II Power	118410-11	715 mm	100°	1107 lx	1514 lx	approx. 3443 lm	32 W	24V DC
TUBELED_40 II Power	118510-11	1040 mm	100°	1560 lx	2049 lx	approx. 5165 lm	48 W	24V DC
TUBELED_40 II Power	118610-11	1540 mm	100°	2058 lx	2553 lx	approx. 7747 lm	72 W	24V DC
TUBELED_40 II ECO	118010-12	190 mm	100°	175 lx	250 lx	approx. 459 lm	4 W	24V DC
TUBELED_40 II ECO	118110-12	280 mm	100°	261 lx	371 lx	approx. 688 lm	6 W	24V DC
TUBELED_40 II ECO	118210-12	365 mm	100°	346 lx	489 lx	approx. 975 lm	8.5 W	24V DC
TUBELED_40 II ECO	118310-12	540 mm	100°	511 lx	711 lx	approx. 1491 lm	13 W	24V DC
TUBELED_40 II ECO	118410-12	715 mm	100°	665 lx	909 lx	approx. 1950 lm	17 W	24V DC
TUBELED_40 II ECO	118510-12	1040 mm	100°	938 lx	1233 lx	approx. 2753 lm	24 W	24V DC
TUBELED_40 II ECO	118610-12	1540 mm	100°	1238 lx	1539 lx	approx. 4359 lm	38 W	24V DC

Fastening accessories, power supply and connection materials, see Accessories

* Average and maximum lighting intensities, measurement area 100 cm x 100 cm at 100 cm distance

With feed-through wiring (cascadable) several luminaires can be electrically interlinked.

The entire power consumption may not exceed 8 A DC at max. +30° C or 7 A DC at max. +40° C.

Accessories	Product no.
Luminaire holder, aluminium, 1 pair	210200-06
Mounting bracket, VA, 1 pair, (LED luminaire is infinitely adjustable by 111° in its rotation axis.)	210200-11
Mounting bracket, VA, 1 pair, incl. magnet (LED luminaire is infinitely adjustable by 111° in its rotation axis.)	210200-12
Luminaire holder, VA, 1 pair, adjustable +/- 180°	210200-14





TUBELED_40 II M40x1.5 for mounting inside the machine housing



24V DC	III	IP67/ IP69K	100 % CNC	≥ 85	5200K - 5700K	60,000 h (L70/B10)	M12	POWER version +40 -30	ECO-version +60 -30	OPTION			36 months	
--------	-----	----------------	--------------	-----------	---------------------	-----------------------	-----	-----------------------------	---------------------------	--------	--	--	-----------	--

TUBELED_40 II M40x1.5	Product no.	Length	Optics	$E_{average}^*$	E_{max}^*	Luminous flux	Output	Connection
TUBELED_40 II M40x1.5 Power	118110-03	309 mm	100°	435 lx	617 lx	approx. 1291 lm	12 W	24V DC
TUBELED_40 II M40x1.5 ECO	118110-04	309 mm	100°	261 lx	371 lx	approx. 688 lm	6 W	24V DC

Power supply, dimmboxes and connection materials, see Accessories

* Average and maximum lighting intensities, measurement area 100 cm x 100 cm at 100 cm distance

