



SPOTLED II

Spot or wide spread light

The SPOTLED II is our universal whiz for spotlights. Depending on the beam angle, the luminaire can be selected as a spotlight or as a wide-angled floodlight. The SPOTLED II only protrudes minimally when recess mounted. This means that it can be used in any desired installation situation.

The Technology

- 4 mm TSG cover, oil-resistant, chip bombardment-proof: made for harsh production environments
- Aluminium base body for heat dissipation to the rear – no burning in of coolant or emulsions
- Connection via M12 plug connector on rear side
- FKM seal (Viton®) In the delivery scope

Your benefits

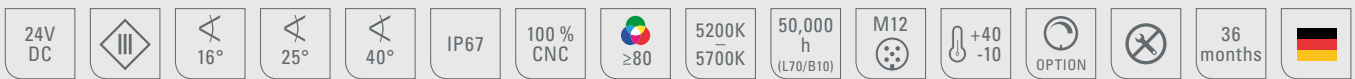
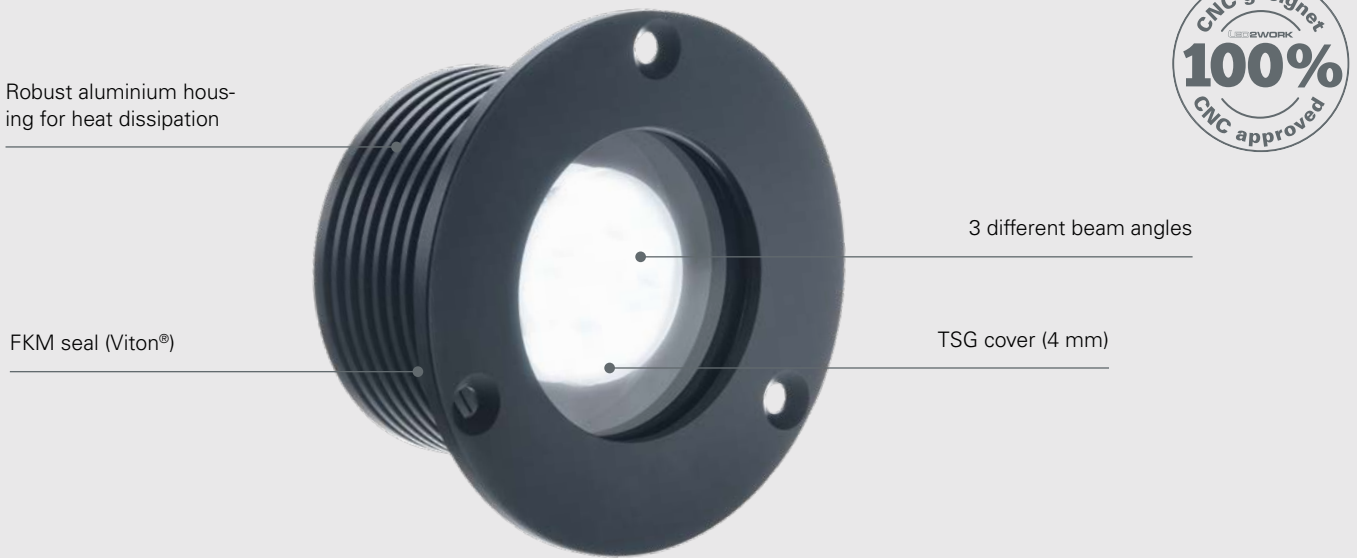
- Installation in recess by means of screws
- Low installation depth and only 4 mm surface protrusion
- No formation of chip nests
- Spotlight or wide spread, flicker-free light without UV and IR components

Areas of application

- Machine tools, CNC machines
- For camera-supported quality assurance during processing
- For serial use, as well as for retrofitting in machines

Designs

- 3 different beam angles: 16°, 25° or 40°
- Also available in V4A stainless steel version in OEM program



SPOTLED II recessed luminaire, 5200–5700K	Product no.	Optics	E_{average}^*	E_{max}^*	Luminous flux	Output	Connection
SPOTLED II Integrated version Spot	111111-12	16°	688 lx	5382 lx	approx. 765 lm	8.5 W	24V DC
SPOTLED II Integrated version Medium	111112-12	25°	557 lx	2349 lx	approx. 689 lm	8.5 W	24V DC
SPOTLED II Integrated version Wide	111113-12	40°	508 lx	1498 lx	approx. 680 lm	8.5 W	24V DC

Power supply, dimmboxes and connection materials, see Accessories

* Average and maximum lighting intensities, measurement area 100 cm x 100 cm at 100 cm distance

